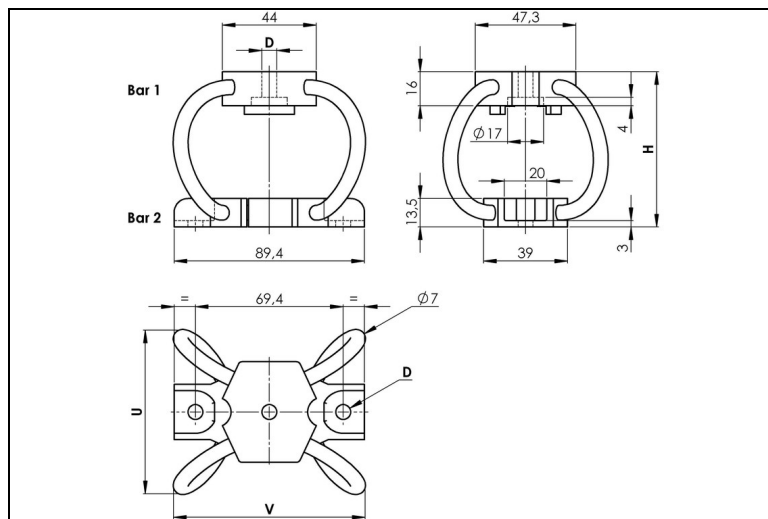


# WIRE ROPE ISOLATOR: 'POLYCAL'

DEFINITION  
**series MP9**



- All metal multidirectional anti-vibration/shock mounts
- Exceptional reliability and long life
- High damping
- No aging
- Corrosion resistant
- Unequalled temperature range: - 180°C to 300°C (- 290°F to 570°F)
- Great adaptability/versatility

*Dimensions are in millimeters. For reference only*

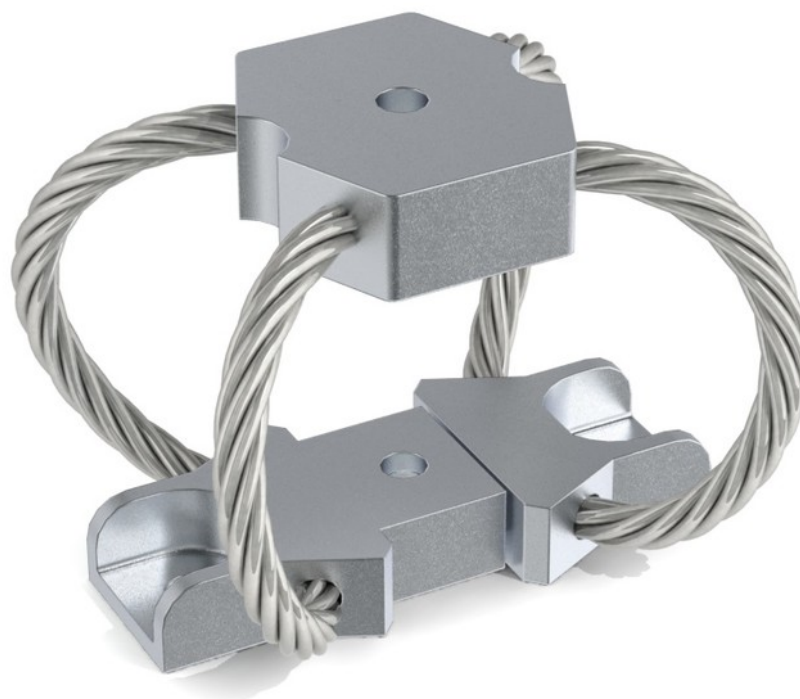
SERIES
Materials and finishes (meets RoHS requirements)
<b>MP9</b>
<b>Cable:</b> stainless steel
<b>Retainer bars:</b> aluminium alloy
<b>Inserts:</b> stainless steel

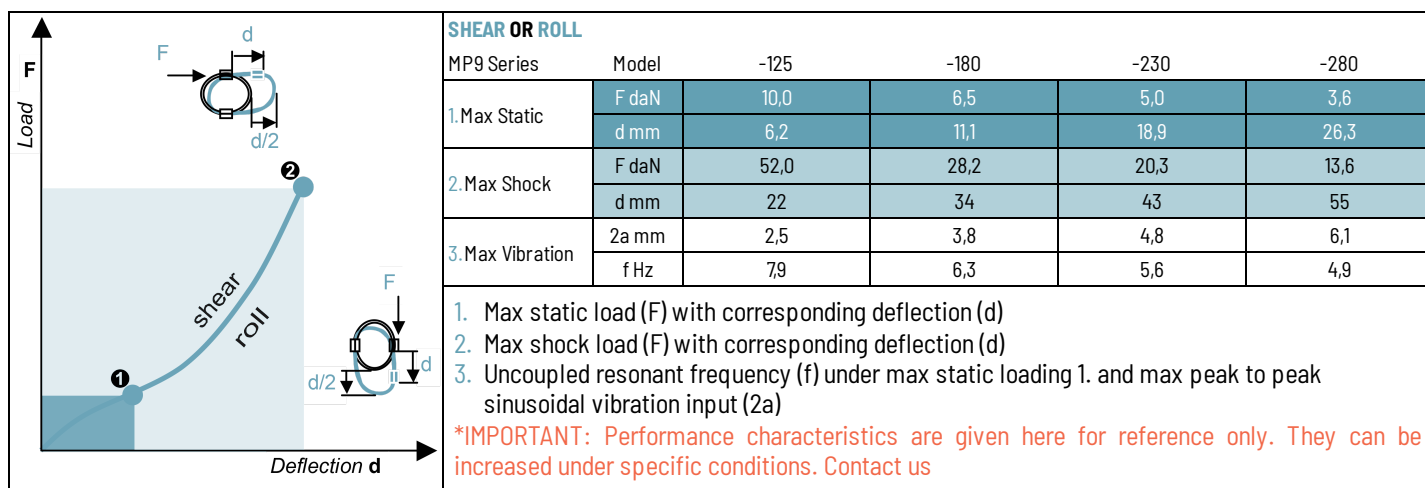
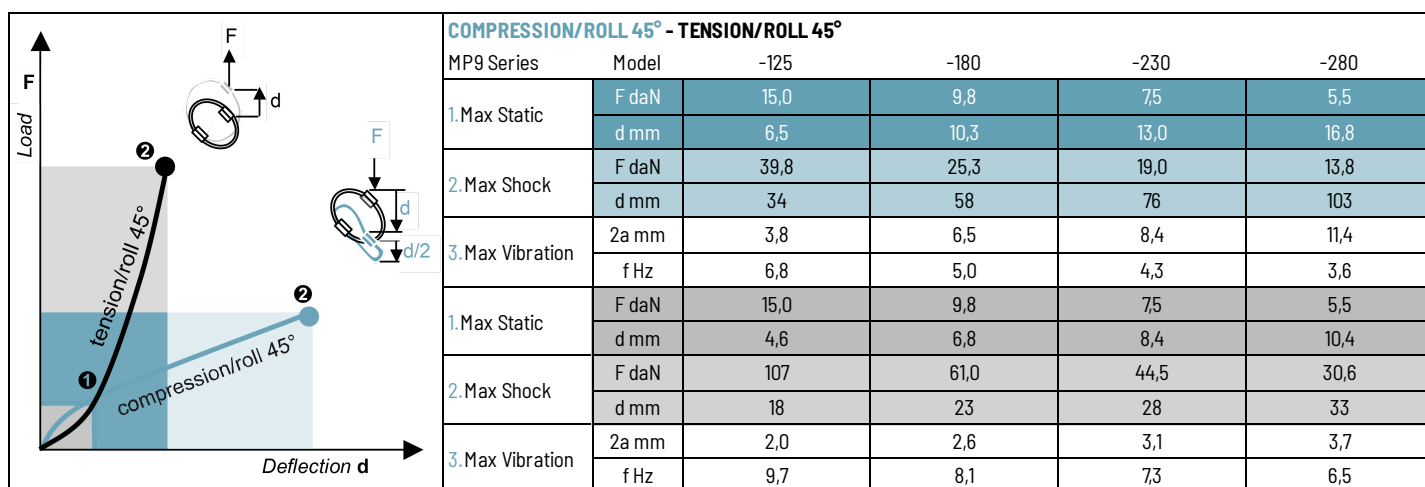
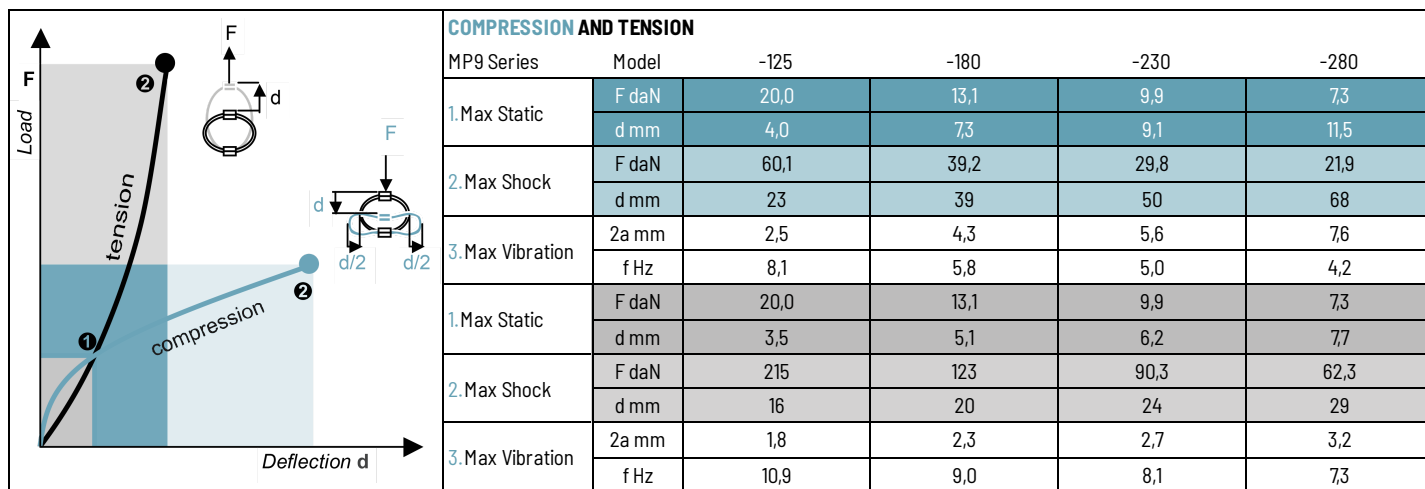
MODEL	height H (mm)	width U (mm)	width V (mm)	weight (kg)
-125	55	65	79	0,20
-180	73	77	90	0,23
-230	86	85	102	0,26
-280	106	97	114	0,29

INTERFACES	
fixtures holes D	
Bar 1	1 through hole $\varnothing 7$ mm (option: Insert M10)
Bar 2	2 through holes $\varnothing 7$ mm

**M P 9 - 1 2 5**

SERIE: MP9      MODEL: -125  
 'Polycal' mount      height: 55mm  
 from the MP9 series      width: 65mm  
    weight: 0,20kg





## TYPICAL SHOCK/VIBRATION SPECIFICATIONS:

Air	AIR 7306, MIL-E-5400, MIL-C-172, MIL-STD-810
Ground Forces	GAM EG13A, SEFT 001, MIL-STD-810, VG 9533
Marine	GAM EG13C, IT25-21/96-31/15-86, MIL-S-167, MIL-S-901, STANAG 042, BV 043.73, BV 044
Others	GAM EMB1, GAM EMBT4, DEF STAN 07-55, IEC 571, FINABEL 2C